

### DWL External Louver

For SHX-UN Weather Protection

Inert Gas Suppression  
Pressure Relief

Electrical Equipment  
Building Blast Protection

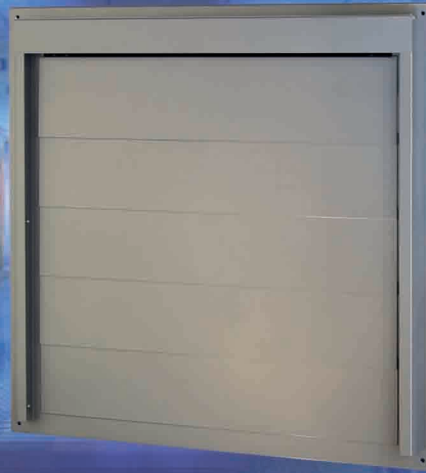
### DWL - Weather Protection

Dynamic Weather Louver

85% FVA

Easy Installation

Steel Construction



## DWL DYNAMIC WEATHER LOUVER

### Weather Protection for SHX UN Vents

*Designed specifically to complement FVA of SHX UN Vents.*

The DWL Exterior Dynamic Weather Louver complements the SHX UN universal pressure relief dampers offering superior wind and weather protection without restricting the internal vents Free Vent Area (FVA).

DWL Louvers, like all AmVentco products, have been thoroughly tested in our blast simulator. During testing in conjunction with SHX UN units, the louvers were found to increase back pressure by only 10% during a blast discharge. Because the AmVentco range of vents operates well below the projected peak pressure as calculated by the Vent Design Coefficient (vDc), this combination is still the most efficient pressure/blast relief product on the market.

## PRODUCT DETAILS



### SHX Weather Protection

Designed for SHX UN pressure relief damper weather protection. Wind and rain tested. Fitted with wind break surround to stop blade rattle.



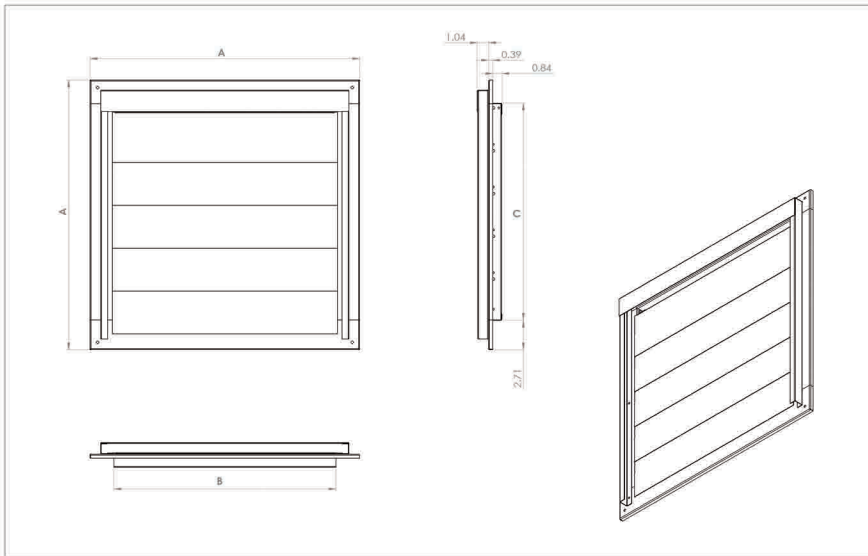
### Live Discharge Tested

Blast tested in combination with the SHX UN the DWL only adds 10% to the back pressure.



### Easy Installation

Robust steel construction. Mounts in perfect combination with SHX UN wall liner for easy and secure installation.



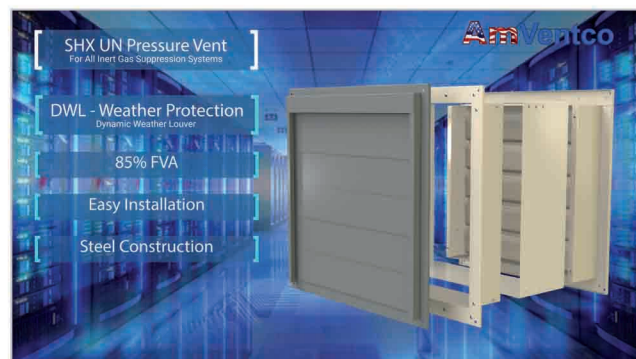
## TECHNICAL DATA

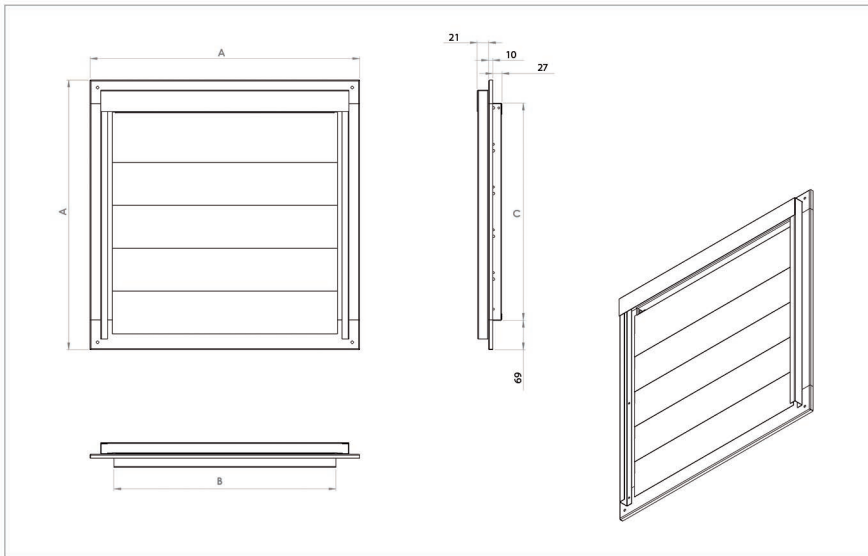
| Product Code    | Dim | DWL 14               | DWL 22               | DWL 30               |
|-----------------|-----|----------------------|----------------------|----------------------|
| FVA POSITIVE    |     | 0.83 ft <sup>2</sup> | 2.28 ft <sup>2</sup> | 4.48 ft <sup>2</sup> |
| DWL VENT FLANGE | A A | W 16.8" x H 16.8"    | W 24.5" x H 24.5"    | W 32.4" x H 32.4"    |
| DWL             | B C | W 12.6" x H 12.1"    | W 20.4" x H 20"      | W 28.3" x H 27.9"    |
| WEIGHT          |     | 9 lb                 | 17.5 lb              | 27.5 lbs             |

## EXTERNAL WALL INSTALLATION

*A DWL (Dynamic Weather Louver) should be used for installation on exterior walls.*

The AmVentco DWL is specifically designed to weather-protect the SHX UN vent when installed on an exterior wall. When blast tested in combination with the SHX UN Vent it only adds 10% to the back pressure, falling well within the peak pressure design criteria of the gas calculations and enclosure limits.





### TECHNICAL DATA

| Product Code    | Dim | DWL 14              | DWL 22              | DWL 30              |
|-----------------|-----|---------------------|---------------------|---------------------|
| FVA POSITIVE    |     | 0.076m <sup>2</sup> | 0.212m <sup>2</sup> | 0.416m <sup>2</sup> |
| DWL VENT FLANGE | A A | 430 x 430mm         | 630 x 630mm         | 830 x 830mm         |
| DWL             | B C | 320 x 308mm         | 520 x 508mm         | 720 x 708mm         |
| WEIGHT          |     | 4kg                 | 8kg                 | 12.5kg              |

### EXTERNAL WALL INSTALLATION

*A DWL (Dynamic Weather Louver) should be used for installation on exterior walls.*

The AmVentco DWL is specifically designed to weather-protect the SHX UN vent when installed on an exterior wall. When blast tested in combination with the SHX UN Vent it only adds 10% to the back pressure, falling well within the peak pressure design criteria of the gas calculations and enclosure limits.

