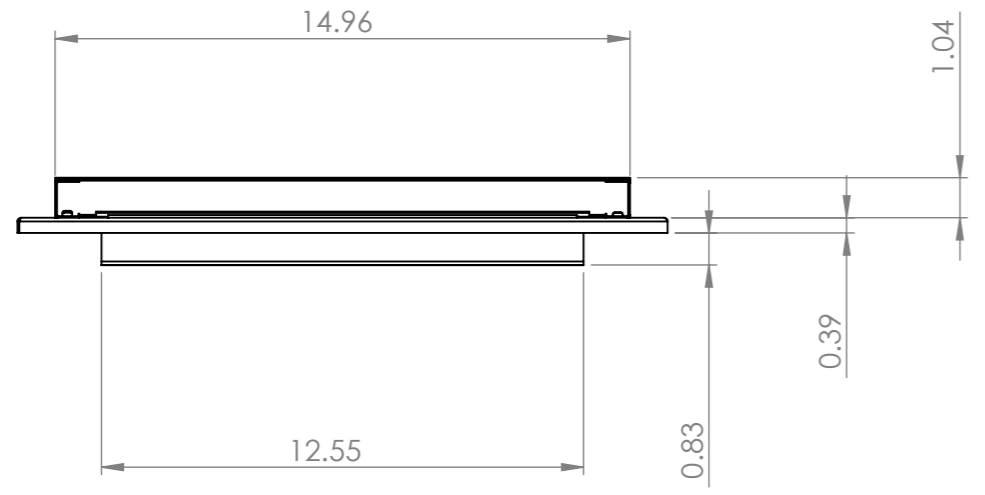
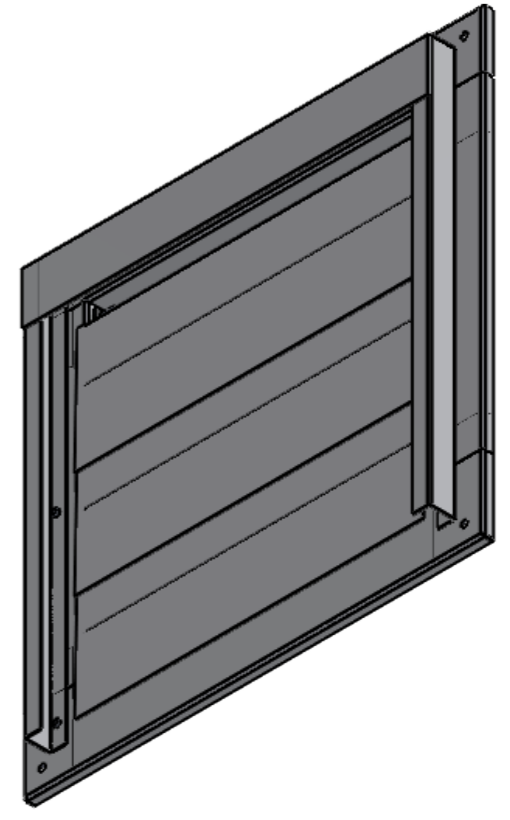
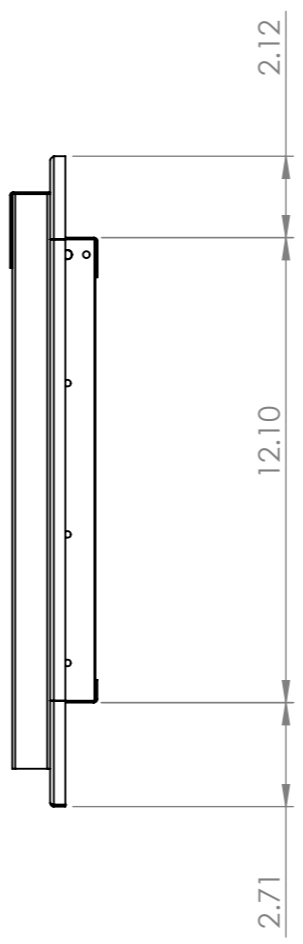



Fixing Holes



PROPRIETARY AND CONFIDENTIAL
 THE INFORMATION CONTAINED IN THIS DRAWING IS THE SOLE PROPERTY OF AFP Air Tech LTD (UK) ANY REPRODUCTION IN PART OR AS A WHOLE WITHOUT THE WRITTEN PERMISSION FROM AFP Air Tech LTD (UK) IS PROHIBITED.

UNLESS OTHERWISE SPECIFIED: DIMENSIONS ARE IN INCHES SURFACE FINISH: TOLERANCES: LINEAR: ANGULAR:			FINISH:			DEBURR AND BREAK SHARP EDGES			 <small>AmVentco, Inc. 1311 Phillips Highway Jacksonville FL 32207 USA Tel: (904) 333 8380 Fax: www.amventco.com sales@amventco.com</small>		
NAME	SIGNATURE	DATE				DO NOT SCALE DRAWING			REVISION		
DRAWN											
CHK'D											
APPV'D											
Q.A											
						MATERIAL: Powder Coated Steel			DWG NO. DWL 14		
						WEIGHT:			SCALE:1:5		
									SHEET 1 OF 1		
									A3		